

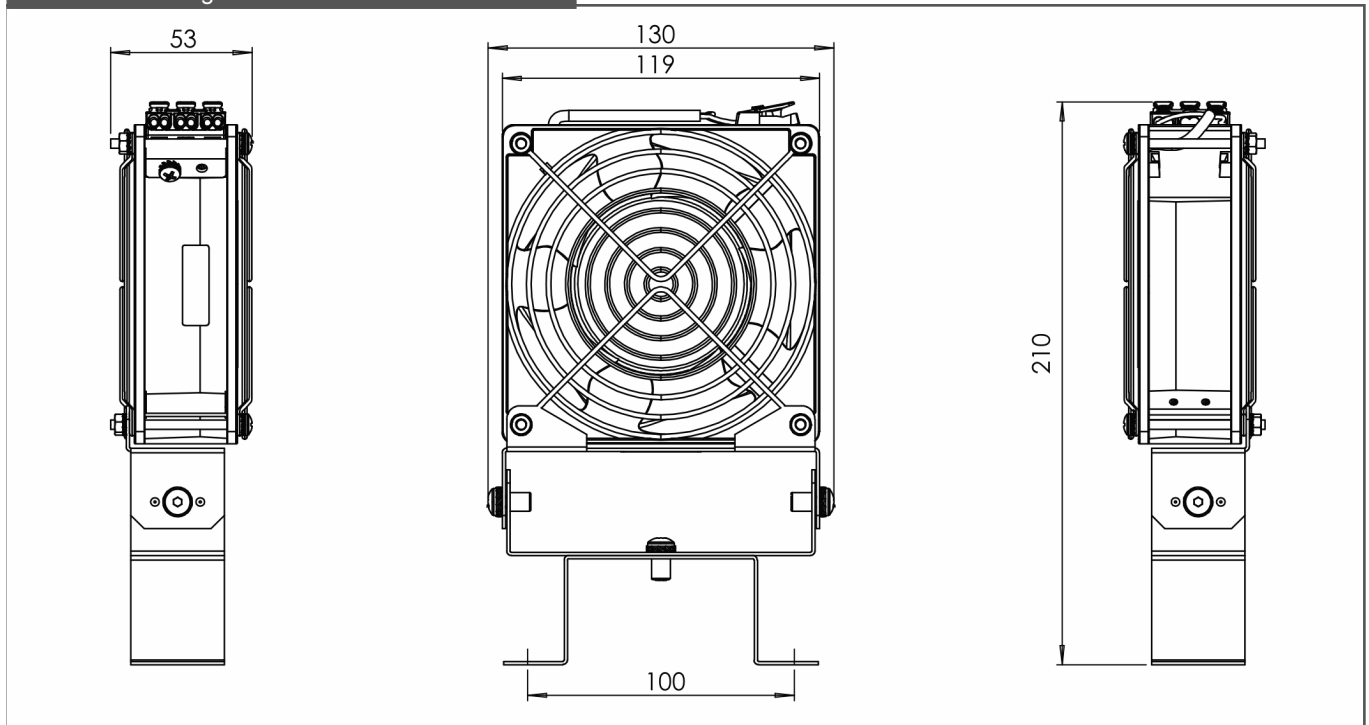
"OF" SERIES ORIENTABLE FAN

Description: **Axial fan a.c.**



Casing material: die-casting aluminum black painted fan, galvanized steel bracket
Impeller material: glass filled polyester UL 94V-0
Protection degree: IP20, according to EN 60529 standard
Fixing system: by No 2 screws (steel bracket fixing holes Ø 6mm, 100mm hole centers)
Motor protection: impedance
Storage temperature: from -40°C to +70°C
Rated temperature range: from -10°C to +70°C
Electrical connection: by 3 poles terminal L-N-PE cage clamp:
 1.5 ÷ 2.5mm² (15 ÷ 13 AWG) solid wire
 0.5 ÷ 2.5mm² (20 ÷ 13 AWG) rigid wire
 0.75 ÷ 2.5mm² (18 ÷ 13 AWG) tin plated wire
Lifetime L10 at 25°C: 50,000h
Weight: 1kg
Approvals: CE

Technical drawing



Model	Bearing	Voltage	Frequency	Rated Current	Rated Power	Max Air Flow**	Static Pressure	Noise	RPM	Approvals
		(V)	(Hz)	(A)	(W)	(m3/h)	(Pa)	[db(A)]	(rpm)	
OF-A12B23SWBAQ130	Ball	230 V a.c.	50/60	0.170/0.130	21/21	163/182	60/62	46.4/48.1	2,400/2,600	CE

data with uncertainty of 15%

All specifications, data and drawing are subject to change without notice and are approximate. Please refer to our terms of sales including our warranty and limited liabilities clauses.